

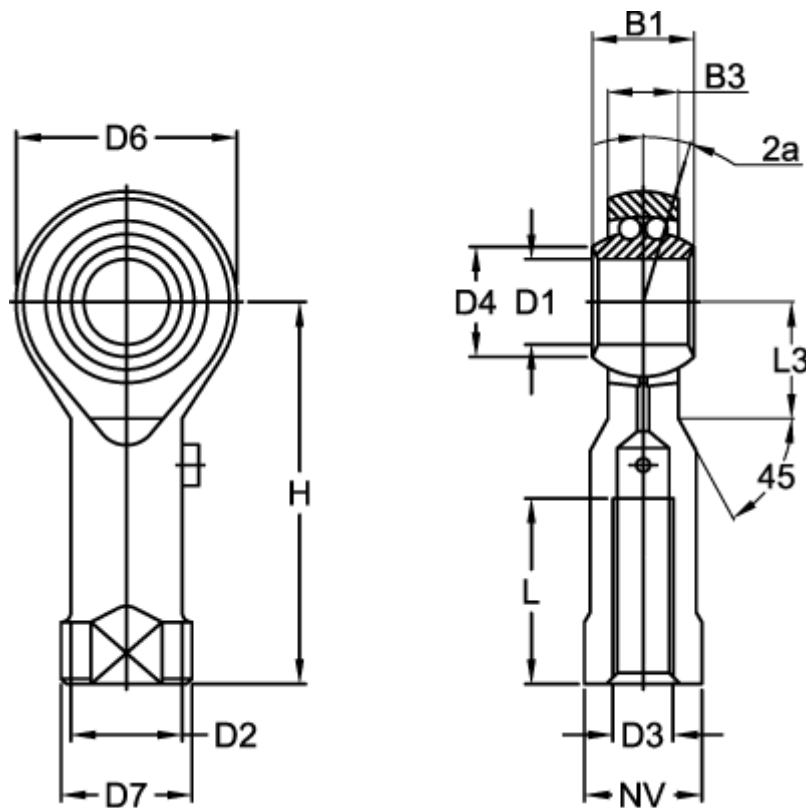
# Data Sheet



Article number: 03706025

Description: Fluro rod end BRF 25  
with ball bearing

## Measures



Angel 2a = 5.0	D7	= 35
B1 = 31	Dynamic load C (N)	= 11030
B3 = 22.00	H	= 94
D1 = 25	L	= 42
D2 = 30.0	L3	= 32
D3 = M24x2	Max rpm	= 600
D4 = 29.5	NV	= 30
D6 = 64	Static load (N)	= 5680

Weight (kg) = 0.572